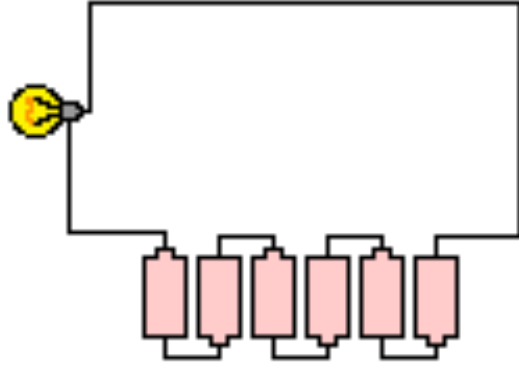


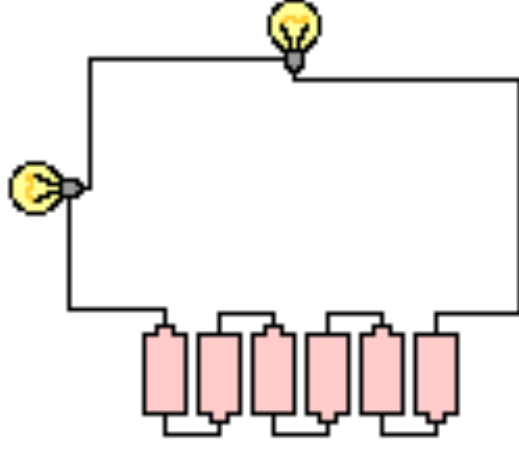
Series Connection

Series Connection of Light Bulbs

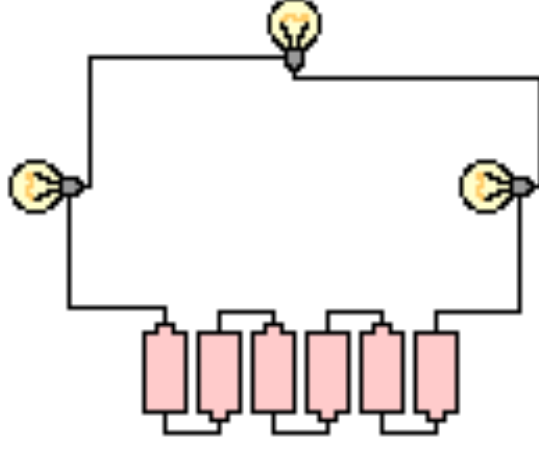
1 Resistor



2 Resistors



3 Resistors





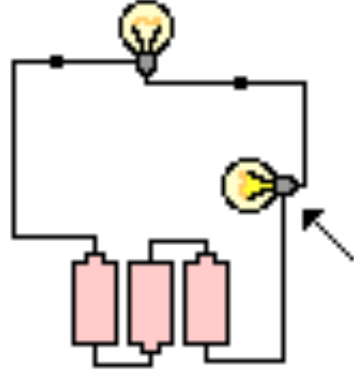
As resistance increases, current decreases

If one bulb goes out, the circuit is cut and they all go out

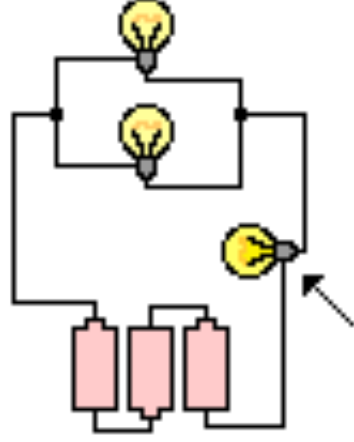
Parallel Connection

Parallel Connection of Light Bulbs

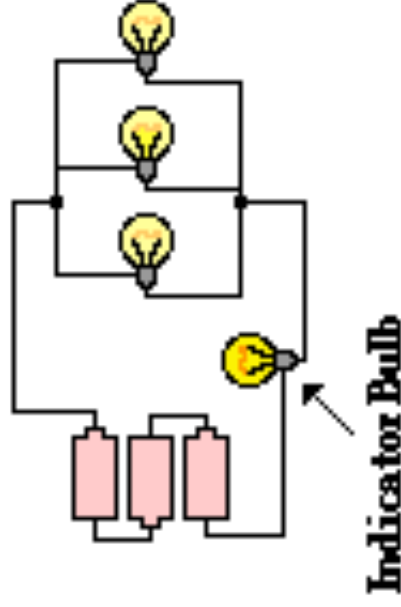
1 Resistor



2 Resistors



3 Resistors



As the number of resistors (in parallel) increase, the current increases

Removing a bulb has no effect on the other bulbs, as there is an alternative pathway for the current

Inquiry Based Circuit Lab

In groups of 3-4, complete the circuit inquiry lab and follow up questions detailed on pages 22-25 in your booklet